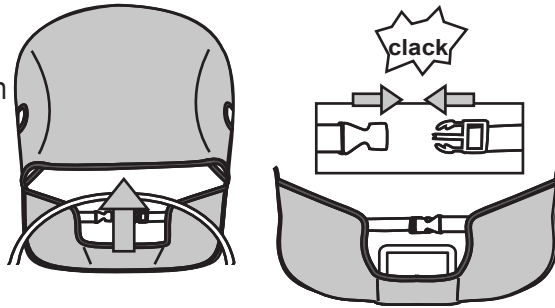


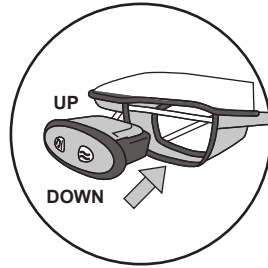
4 Fabric seat assembly

Insert head fabric seat backside then fabric seat bottom through the seat and button up the plastic.



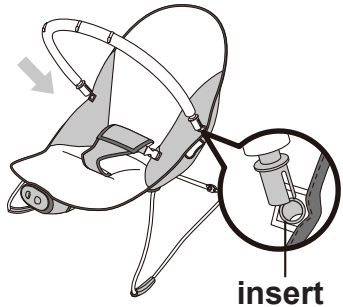
5 Vibration/sound assembly

Insert vibration through the fabric seat, then fasten to the seat groove.

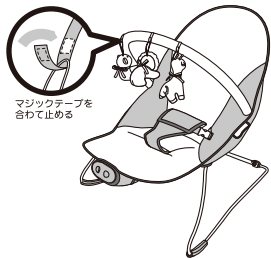


6 Toys bar assembly

Insert toy bar frame into holes of fabric seat each side, then fixate to head.



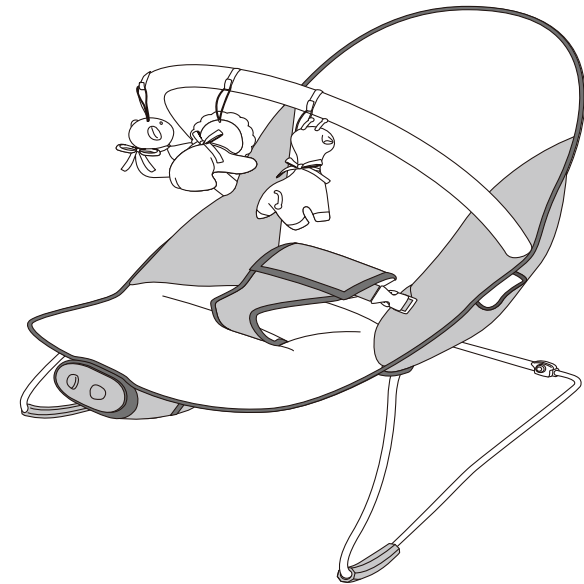
Toys assembly



BABY BOUNCER

INSTRUCTIONS FOR ASSEMBLY AND USE

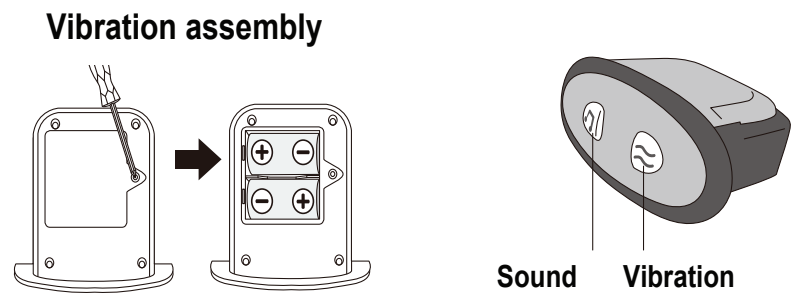
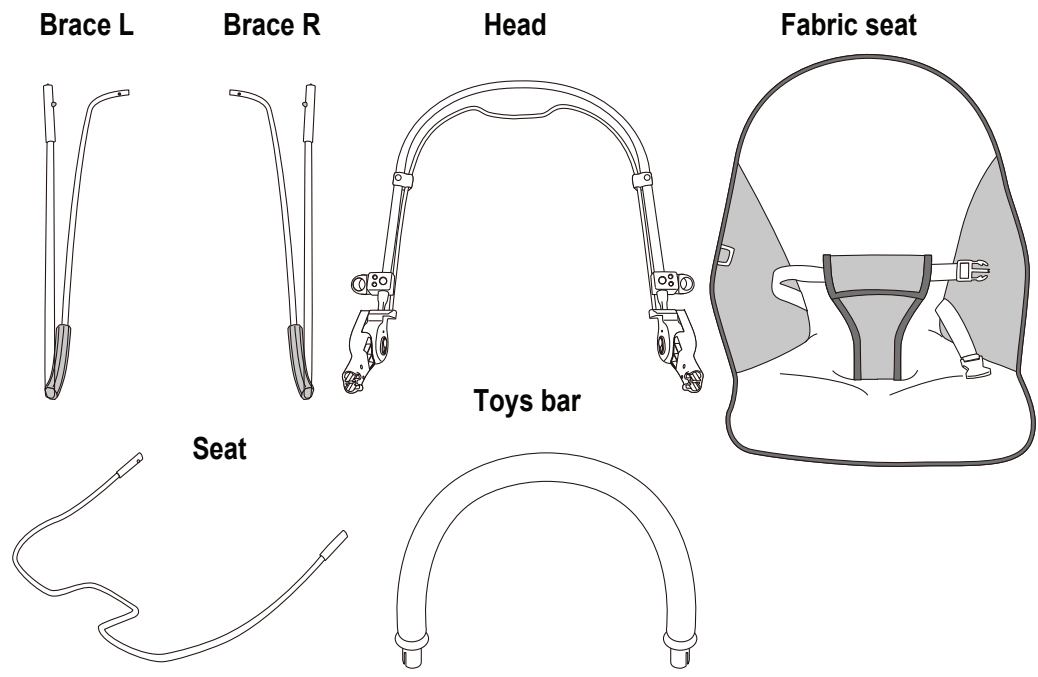
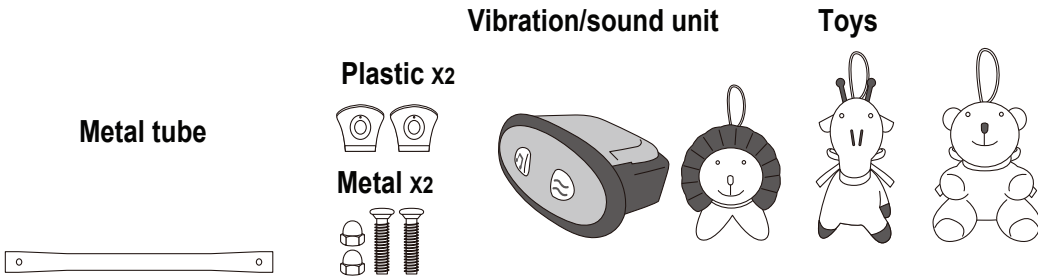
ITEM:BR244



IMPORTANT:

RETAIN THIS INSTRUCTION FOR FUTURE REFERENCE.
READ THESE INSTRUCTIONS CAREFULLY TO ENSURE
CHILD'S SAFETY.

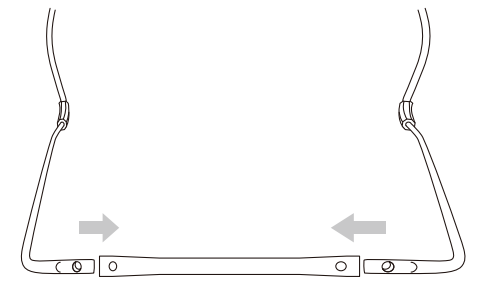
PARTS LIST



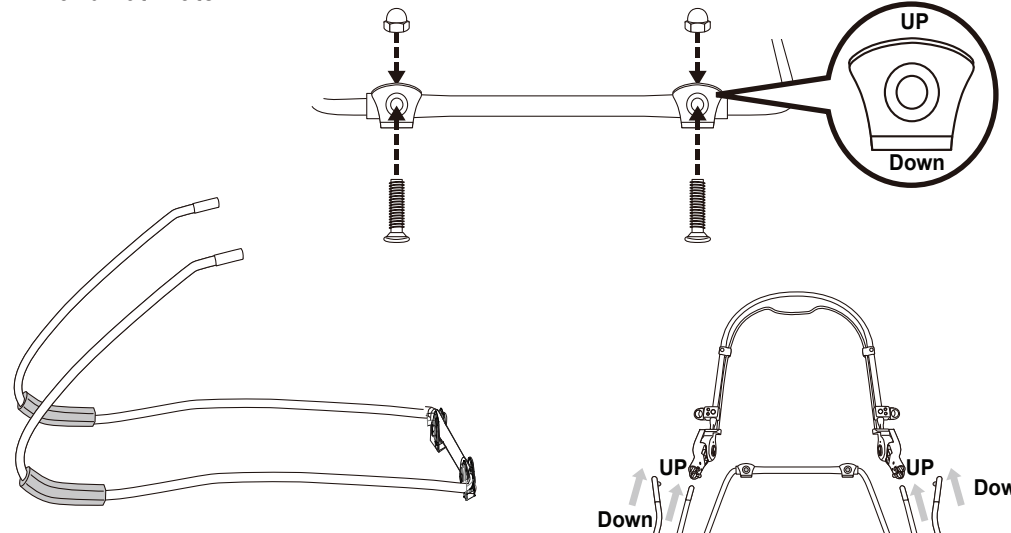
ASSEMBLY

1 BRACE ASSEMBLY

Insert brace L and brace R to metal tube.



2 Use cross borer tool screw and nut fixate.



3 Head and seat assembly.

Insert head plastic to brace frame each side, then insert seat of the head plastic.

